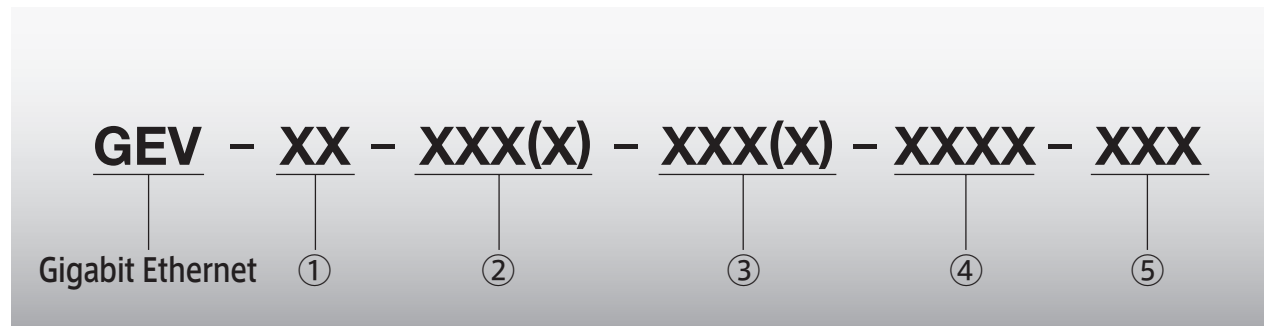


Gigabit Ethernet nomenclature

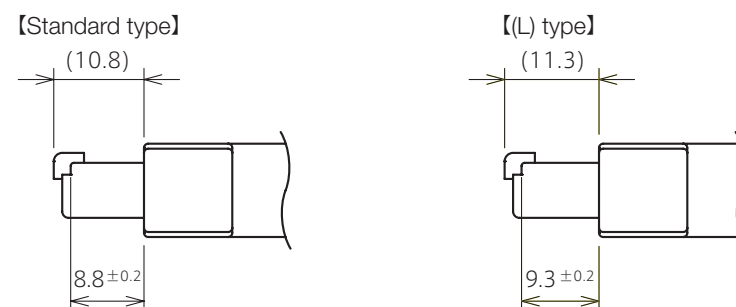


① Cable type	Code	Description
	ST	Fixed type
	HF	High flex type (standard specification)

② Connector specification for the CN1 side	Code	Description
	STL	RJ45 Straight 8p (Latch) Type
	STY	RJ45 Straight 8p (Screw) Horizontal Type
	STT	RJ45 Straight 8p (Screw) Vertical Type
	LAU	RJ45 Upper Angle 8P (Screw/UP) Type
LAD	RJ45 Lower Angle 8P (Screw/DOWN) Type	

③ Connector specification for the CN2 side	Code	Description
	STL	RJ45 Straight 8p (Latch) Type
	STY	RJ45 Straight 8p (Screw) Horizontal Type
	STT	RJ45 Straight 8p (Screw) Vertical Type
	LAU	RJ45 Upper Angle 8P (Screw/UP) Type
LAD	RJ45 Lower Angle 8P (Screw/DOWN) Type	

*1 Connector type If a (L) type connector is required, please put (L) after the connector specification symbol for ② or ③.



④ L Length	Code	Description
	0050	5.0m
	0100	10m
	0150	15m
	0200	20m
	0250	25m
	0300	30m
	0350	35m
	0400	40m *The high flex type has the transmission distance of up to 40 meters.
* Please contact us if a cable with a different length is needed.		

⑤ Jacket color	Code	Description
	00K	Black (default color)
* Please contact us if a cable with a different color is needed.		

(Note)

High flex cables are the standard products of this category.

Please contact us if a cable for fixed parts or in other custom specifications is needed.